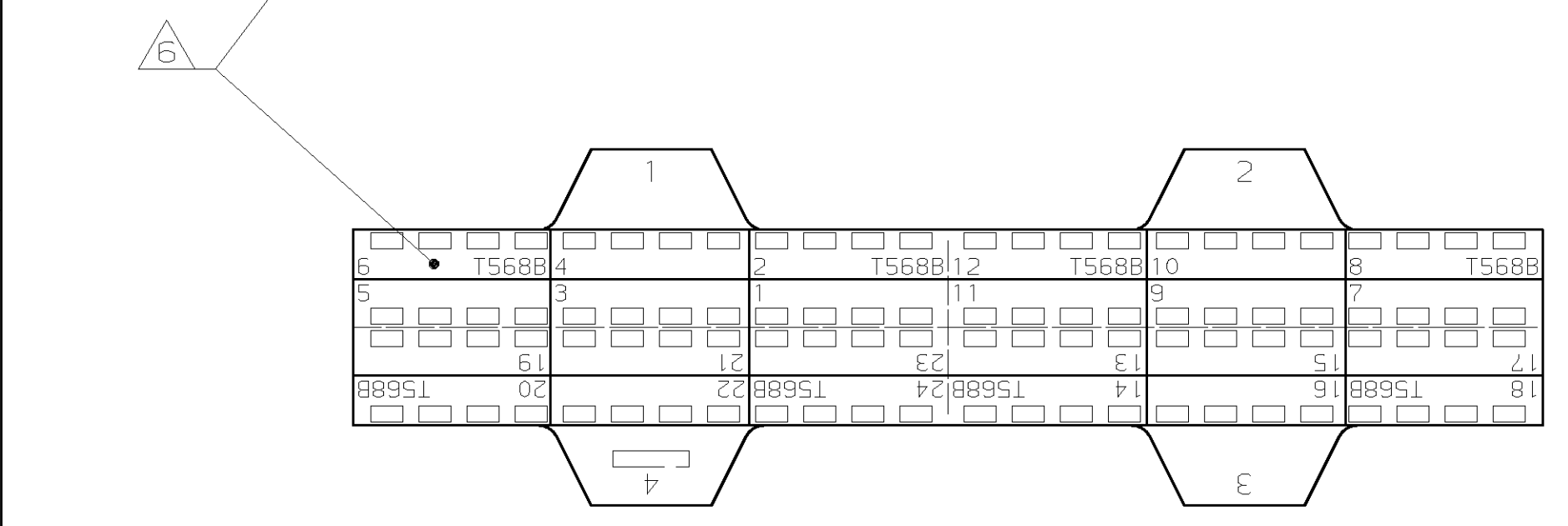
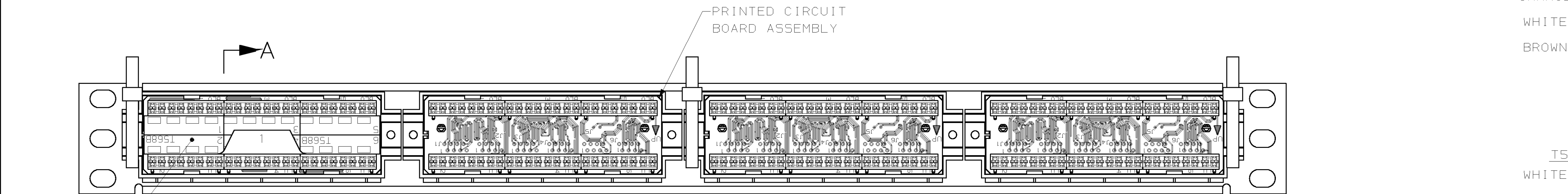
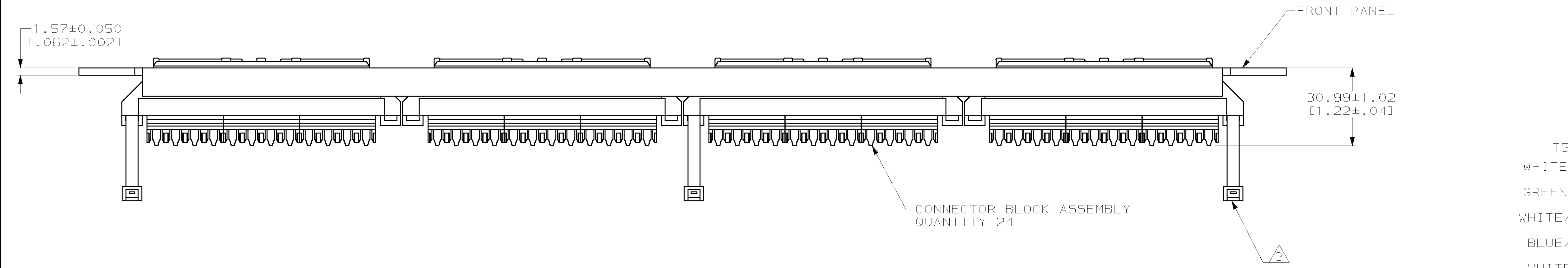
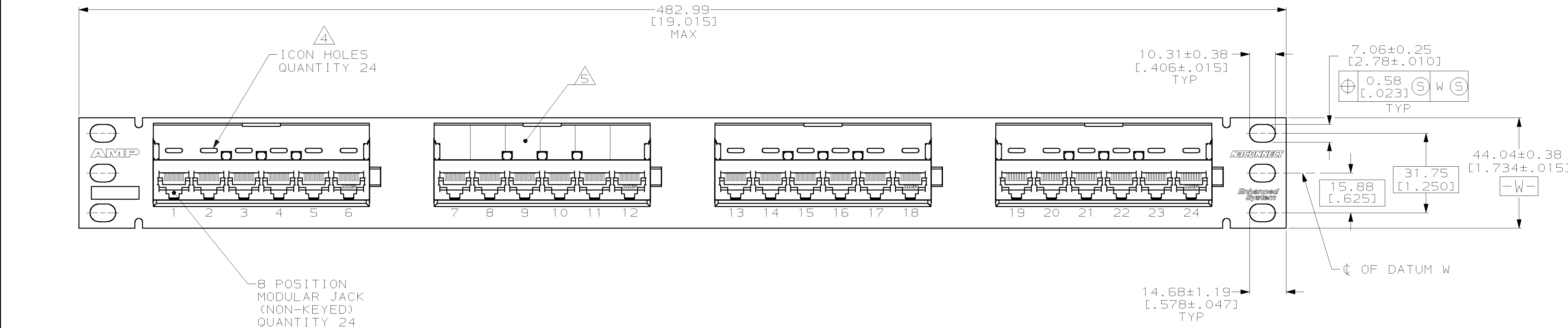
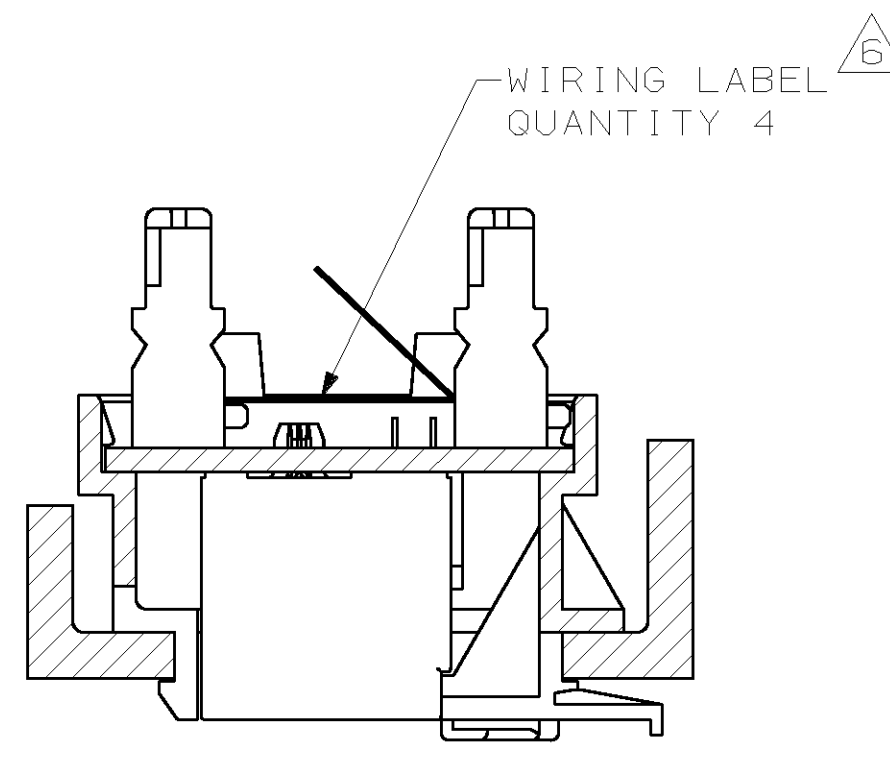


LOC	DIST	REV	DESCRIPTION	DATE	OWN	APPROV
AA	28					
C		REV; EC	OG7A-0170-99	10MAY99	GG	SH

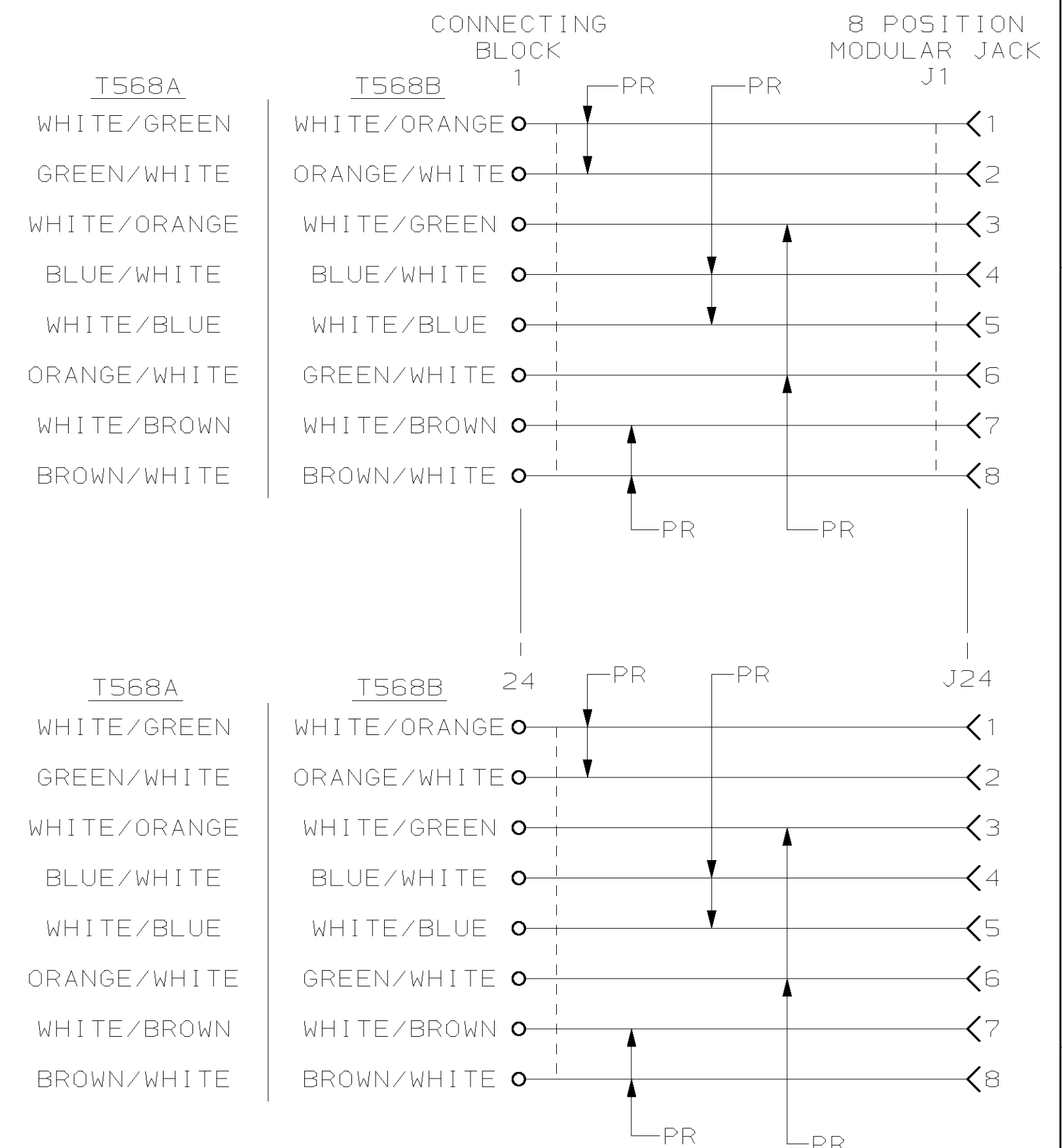


T568B SIDE
110 CONNECTOR UNIVERSAL
WIRING LABELS



SECTION A-A
ROTATED 90° CCW
SCALE 2:1

- ⚠ MATERIAL: PANEL - BLACK POWDER COAT STEEL WITH WHITE MARKINGS.
PRINTED CIRCUIT BOARD - LAMINATED PLASTIC SUBSTRATE, 1.57[.062] THICK.
- 2. FOUR BLACK 12-24 X 12.7[.500] LONG AND FOUR 10-32 X 12.7[.500] LONG CARBON STEEL CROSS RECESSED SCREWS FOR MOUNTING OF PANEL SHIPPED LOOSE. NOT SHOWN ON DRAWING.
- ⚠ THREE RELEASEABLE CABLE TIES, SHOWN ASSEMBLED, USED FOR CABLE ORGANIZATION/ROUTING ARE SHIPPED LOOSE.
- ⚠ ICONS MAY BE PURCHASED SEPARATELY.
- ⚠ ONE SHEET OF BEZEL LABELS AND ONE SHEET OF CLEAR LABEL COVERS ARE SHIPPED LOOSE. ONE LABEL SHOWN INSTALLED AT LOCATION INDICATED.
- ⚠ ONE SHEET OF FOUR 110 CONNECTOR UNIVERSAL WIRING LABELS ARE SHIPPED LOOSE. ONE SIDE IS FOR T568A WIRING AND THE OPPOSITE SIDE FOR T568B WIRING. ONE LABEL SHOWN INSTALLED AT LOCATION INDICATED.



ELECTRICAL SCHEMATIC
T568A OR T568B

THIS DRAWING IS A CONTROLLED DOCUMENT PER AMP DISPOSITION. IT IS SUBJECT TO CHANGE AND THE CONTROLLING ENGINEERING ORGANIZATION SHALL BE CONTACTED FOR THE LATEST REVISION.		DWN DL DRUMMOND 16 OCT 96 CHK C. WHITT 11 NOV 96 J. BONDS 18 NOV 96	AMP Incorporated Harrisburg, PA 17105-3608
DIMENSIONS: mm [INCHES]	TOLERANCES UNLESS OTHERWISE SPECIFIED: 0 PLC ±.01 1 PLC ±.02 2 PLC ±.03 3 PLC ±.04 4 PLC ±.05 UNLESS INDICATED	NAME PANEL ASSEMBLY, 24 PORT, RJ45, UNIVERSAL WIRING, CATEGORY 5, ENHANCED	PART NUMBER 406330-1
MATERIAL FINISH	WEIGHT CUSTOMER DRAWING	SIZE A1	CAGE CODE 00779
		DRAWING NO C-406330	SCALE 1:1
		SHEET 1 OF 1	REV C